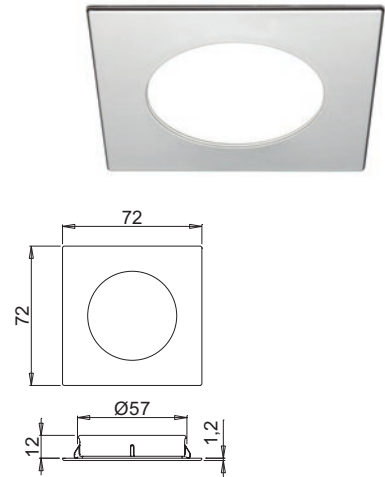


CUBIT

LED DIFFUSED LIGHTING APPLIANCE



CUBIT is designed for flush mounting with a Ø57mm hole and an installation depth of only 12mm. It is installed in wooden panels with both through and blind holes. The fixing system, with two lateral steel springs, is quick and does not require any tools.

The **CUBIT PLUS configuration** is equipped with the innovative **Plug&Play system**. Thanks to this innovation the power cord can be easily unplugged from the spotlight. This makes installation easier and at the same time allows for easy unplugging and removal of the fitting even when already fixed to the furniture.

FEATURES

Material: thermoplastic polymers

Finish: steel

Light source: SMD LED module

Connector: Micro12

Wiring: 2000mm

Application type: wall units, under wall cabinets or under shelves

Installation: recess

CUBIT without switch

UFORM CODE	WATT & VOLT	LIGHT COLOUR	FINISH	PER PACK
LG-CUPIDSTEELNW	3W @ 12Vdc	Natural white	Steel	1
LG-CUPIDSTEELWW	3W @ 12Vdc	Warm white	Steel	1

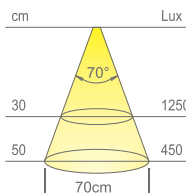
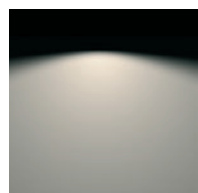
Led converter not included. To be ordered separately.



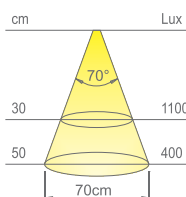
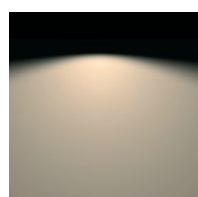
SET CUBIT 3X without switch

UFORM CODE	WATT & VOLT	LIGHT COLOUR	FINISH	PER PACK
LG-CUPIDSTEELNWX3	3X3W @ 230Vac	Natural white	Steel	Set of 3
LG-CUPIDSTEELWWX3	3X3W @ 230Vac	Warm white	Steel	Set of 3

Led converter included.



Colour appearance	natural white
Colour temperature	4300 K
Luminous flux	390 lm
Luminous efficiency	130 lm/W
CRI	Ra ≥ 80



Colour appearance	warm white
Colour temperature	3000 K
Luminous flux	360 lm
Luminous efficiency	120 lm/W
CRI	Ra ≥ 80

CUBIT PLUS Plug&Play system



WARNING: All light fittings must be fitted by a qualified electrician. Care must be taken where lights are enclosed in a cabinet, ensuring there is adequate ventilation. Light fittings should not be fitted in the vicinity of flammable surfaces.

ORDER ONLINE

UFORM.CO.UK

TEL: 028 79651650

FAX: 028 79651652

uform